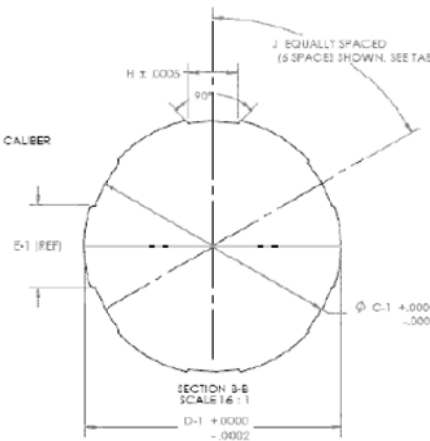
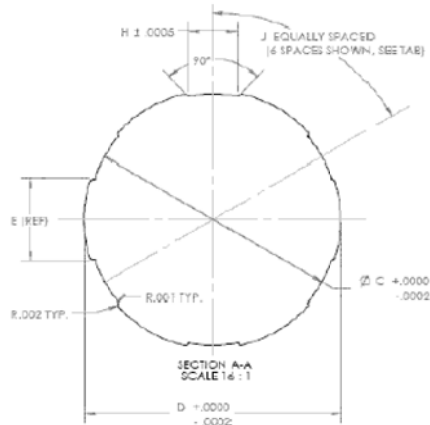
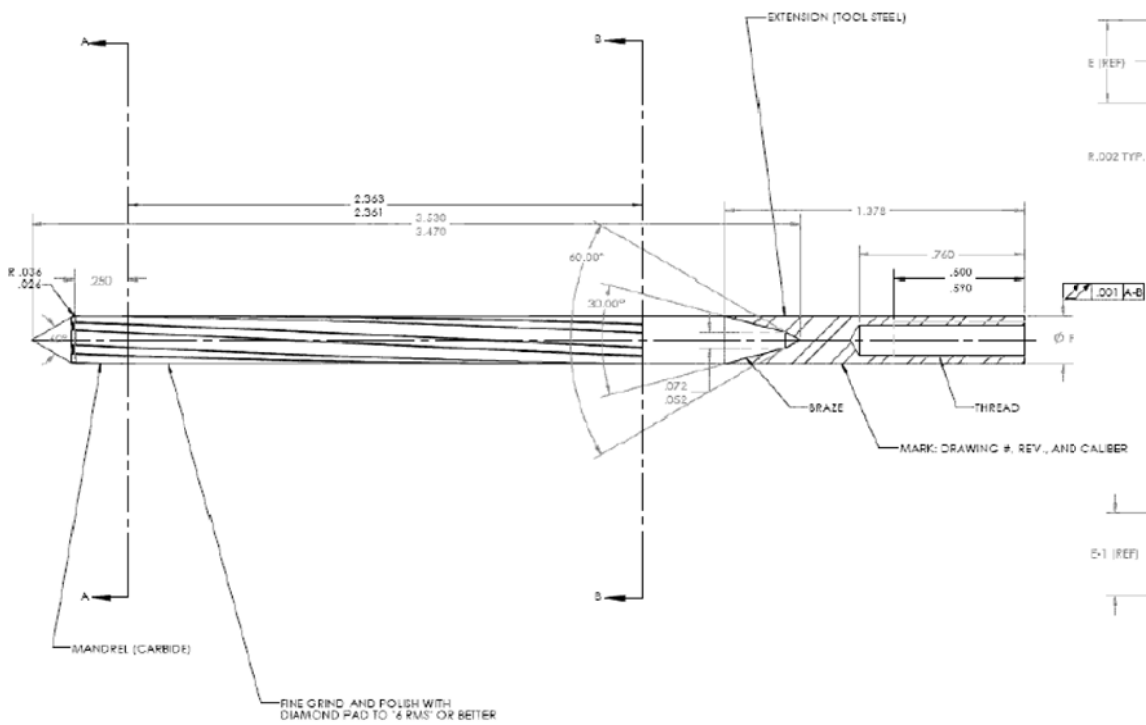


| DESCRIPTION OF REVISION | BY | CHK | DATE | REV. LTR. |
|-------------------------|----|-----|------|-----------|
|-------------------------|----|-----|------|-----------|



| | | | | |
|---|----------|--|------------------|--|
| THIS IS A PROPRIETARY DESIGN OF ELDERADO. REPRODUCTION, MANUFACTURE OR USE OF ANY ASSEMBLY, SUBASSEMBLY, OR PART INDICATED HEREIN OR THE USE OF THE DESIGN OF ANY SUCH ASSEMBLY, SUBASSEMBLY, OR PART IS PERMISSIBLE ONLY IF EXPRESSLY AUTHORIZED IN WRITING BY ELDERADO. | | | | |
| DO NOT SCALE DRAWING INCH DIMENSIONS ARE PRIMARY UNLESS OTHERWISE SPECIFIED | | DRILL MASTERS-ELDERADO TOOL 336 BOSTON POST RD. MILFORD, CONNECTICUT U.S.A. | | |
| INCH TOLERANCES | | DESIGNER S.RUEL | DATE 03/16/16 | TITLE HAMMER FORGE RIFLING MANDREL |
| 1 PLACE | ± .03 | DETAILER | | |
| 2 PLACES | ± .015 | CHECKER | | |
| 3 PLACES | ± .005 | RELEASED | | |
| ANGLES ± 1 deg. NON-ACCUMULATIVE | | SUPERSEDES | | REF. |
| METRIC TOLERANCES(mm) | | SCALE | SHT. | OF |
| WHOLE NO. | ± .8 | | | DWG. NO. MANDREL_1 |
| 1 PLACE | ± .4 | | | REV. |
| 2 PLACES | ± .13 | | | |
| ANGLES | ± 1 deg. | | | |